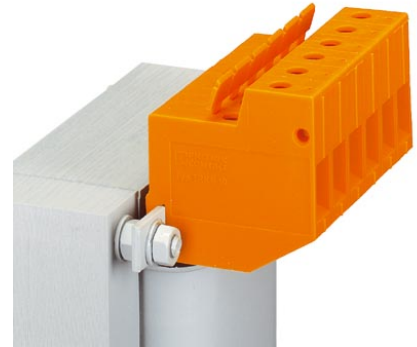


## TRKS 10 GY

Order No.: 2703525

The illustration shows version TRKS 10 in orange

<http://eshop.phoenixcontact.de/phoenix/treeViewClick.do?UID=2703525>

Transformer high current terminal block with internal screw connection

### Commercial data

EAN	4017918061128
Pack	50 Pcs.
Customs tariff	85369010
Weight/Piece	0.02202 KG
Catalog page information	Page 319 (CL-2002)

### Product notes

WEEE/RoHS-compliant since:  
11/26/2005

<http://www.download.phoenixcontact.com>  
Please note that the data given here has been taken from the online catalog. For comprehensive information and data, please refer to the user documentation. The General Terms and Conditions of Use apply to Internet downloads.

### Technical data

#### General

Note	For transformers on ships, saltwater-proof DIN rails must be used according to the regulations of Germanic Lloyd. This requirement is fulfilled by all rail designs.
Number of connections	2
Color	gray
Insulating material	PA
Inflammability class acc. to UL 94	V2

**Dimensions**

Width	10.2 mm
Length	41 mm
Height	41.3 mm

**Technical data**

Rated surge voltage	8 kV
Pollution degree	3
Surge voltage category	III
Connection in acc. with standard	IEC / EN
Nominal current $I_N$	40 A
Nominal voltage $U_N$	(voltage data only possible in conjunction with transformer)

**Connection data**

Conductor cross section solid min.	0.5 mm <sup>2</sup>
Conductor cross section solid max.	16 mm <sup>2</sup>
Conductor cross section stranded min.	0.5 mm <sup>2</sup>
Conductor cross section stranded max.	10 mm <sup>2</sup>
Conductor cross section AWG/kcmil min.	20
Conductor cross section AWG/kcmil max	6
Conductor cross section stranded, with ferrule without plastic sleeve min.	0.5 mm <sup>2</sup>
Conductor cross section stranded, with ferrule without plastic sleeve max.	16 mm <sup>2</sup>
Conductor cross section stranded, with ferrule with plastic sleeve min.	0.5 mm <sup>2</sup>
Conductor cross section stranded, with ferrule with plastic sleeve max.	10 mm <sup>2</sup>
2 conductors with same cross section, solid min.	0.5 mm <sup>2</sup>
2 conductors with same cross section, solid max.	4 mm <sup>2</sup>
2 conductors with same cross section, stranded min.	0.5 mm <sup>2</sup>
2 conductors with same cross section, stranded max.	6 mm <sup>2</sup>
2 conductors with same cross section, stranded, ferrules without plastic sleeve, min.	0.5 mm <sup>2</sup>
2 conductors with same cross section, stranded, ferrules without plastic sleeve, max.	4 mm <sup>2</sup>

2 conductors with same cross section, stranded, TWIN ferrules with plastic sleeve, min.	0.5 mm <sup>2</sup>
2 conductors with same cross section, stranded, TWIN ferrules with plastic sleeve, max.	10 mm <sup>2</sup>
Type of connection	Screw connection
Stripping length	14 mm
Internal cylindrical gage	B6
Screw thread	M 4
Tightening torque, min	1.5 Nm
Tightening torque max	1.8 Nm

### Certificates / Approvals

Approval logo



#### CSA

Nominal voltage $U_N$	300 V
Nominal current $I_N$	65 A
AWG/kcmil	22-6

#### UL

Nominal voltage $U_N$	300 V
Nominal current $I_N$	65 A
AWG/kcmil	24-6
Certification	CCA, CSA, ESTI, GOST, LR, RS, UL

### Accessories

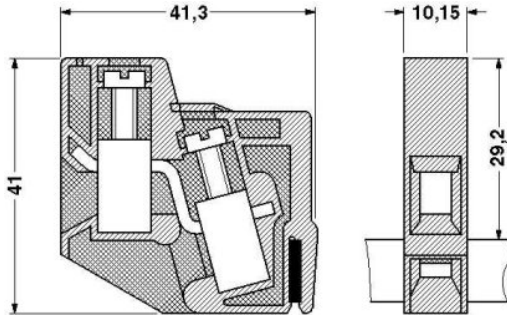
Item	Designation	Description
------	-------------	-------------

#### Assembly

3000308	ATP-TRKS	Partition plate, for visual and electrical separation of neighboring terminal blocks, width: 7.5 mm, color: Gray
---------	----------	--

## Drawings

### Dimensioned drawing



TRKS 10 GY Order No.: 2703525

<http://eshop.phoenixcontact.de/phoenix/treeViewClick.do?UID=2703525>

---

**Address**

PHOENIX CONTACT GmbH & Co. KG  
Flachmarktstr. 8  
32825 Blomberg, Germany  
Phone +49 5235 3 00  
Fax +49 5235 3 41200  
<http://www.phoenixcontact.de>



© 2008 Phoenix Contact  
Technical modifications reserved;